



TESLA *Unšovice*

300B

The valve 300B is low frequencies power triode. It is intended for use in class A, AB and B audio amplifiers.

Due to its low noise, sonic purity and long life is used in high fidelity applications.

The TESLA 300B uses carbonated nickel plate material and oxide covered filament.

Electrical

Filament voltage	5 ± 0,3	V
Filament current	1,3	A
Amplification factor	3,8	
Transconductance	5,5	mA/V

Interelectrode capacitances:

Grid to plate	25	pF
Grid to filament	14	pF

Maximum ratings

DC plate voltage	450	V
DC plate current	100	mA
Plate dissipation	40	W

Mechanical

Cooling Radiation and convection

Base 4 pin (dimension in mm)

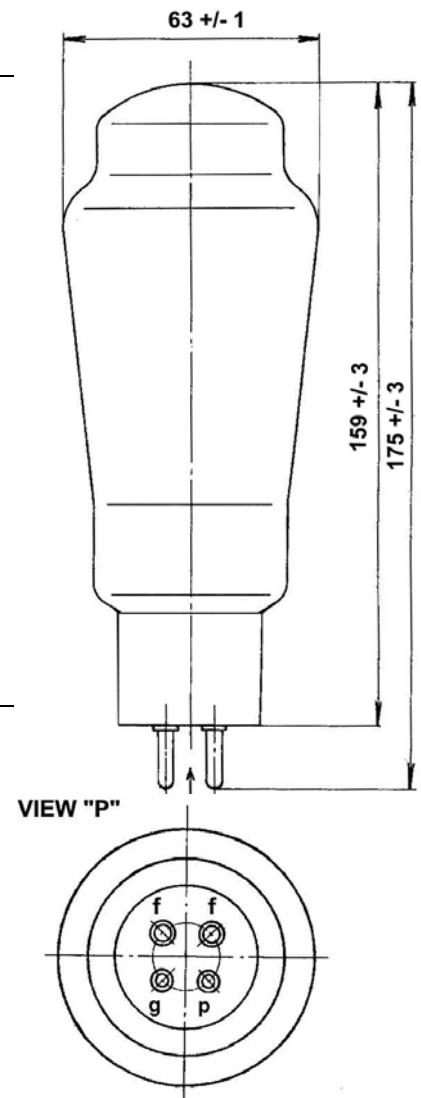
Net weight ... 136 g

Mounting Position: Vertical, base down

f ... filament

g ... grid

p ... plate



Typical operation, Class A, Audio amplifier

Plate voltage	370	V
Grid voltage	- 70	V
Plate current - no signal	64	mA
Plate current - max.signal	68	mA
Output power	15	W

Typical Plate characteristics 300B

